

Antennas, RF Synthesizers, Mixed Signal, and Digital Signal Processing: The Ultimate Guide to Modern Communication Systems

In today's rapidly evolving technological landscape, the ability to understand and manipulate signals is more crucial than ever. From wireless communication to medical imaging, signal processing plays a pivotal role in countless applications that shape our daily lives. This comprehensive guidebook provides an in-depth exploration of the fundamental concepts and practical techniques of signal processing, empowering you to harness the power of signals to solve real-world problems.



Wireless Receiver Architectures and Design: Antennas, RF, Synthesizers, Mixed Signal, and Digital Signal Processing by Tony J. Roupheal

★★★★☆ 4.7 out of 5

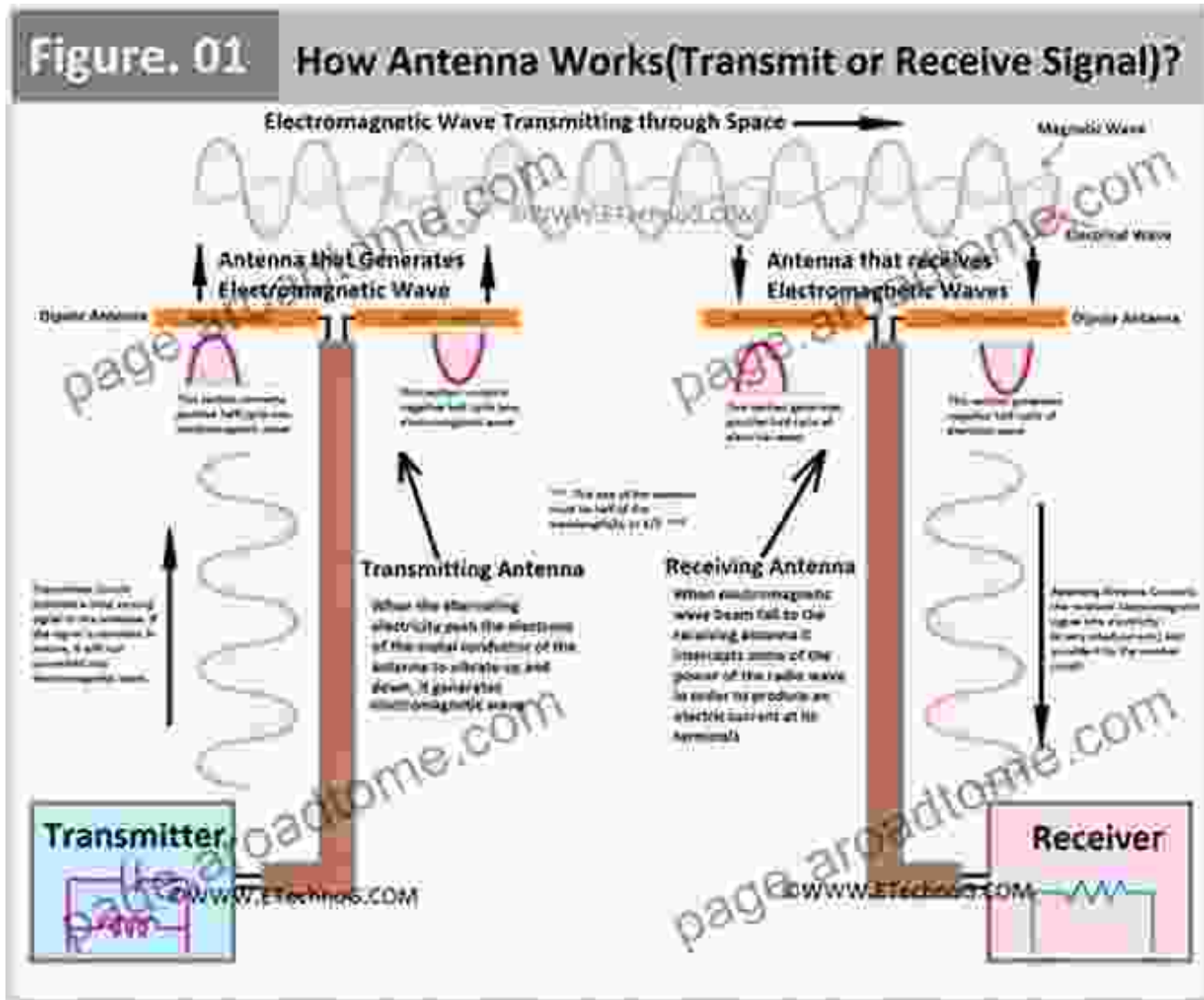
Language : English
File size : 43315 KB
Text-to-Speech : Enabled
Screen Reader : Supported
Enhanced typesetting : Enabled
Print length : 494 pages



Chapter 1: Antennas

Antennas are the gateways between the wired and wireless worlds, enabling the transmission and reception of electromagnetic signals. This chapter introduces the basic principles of antenna design, operation, and

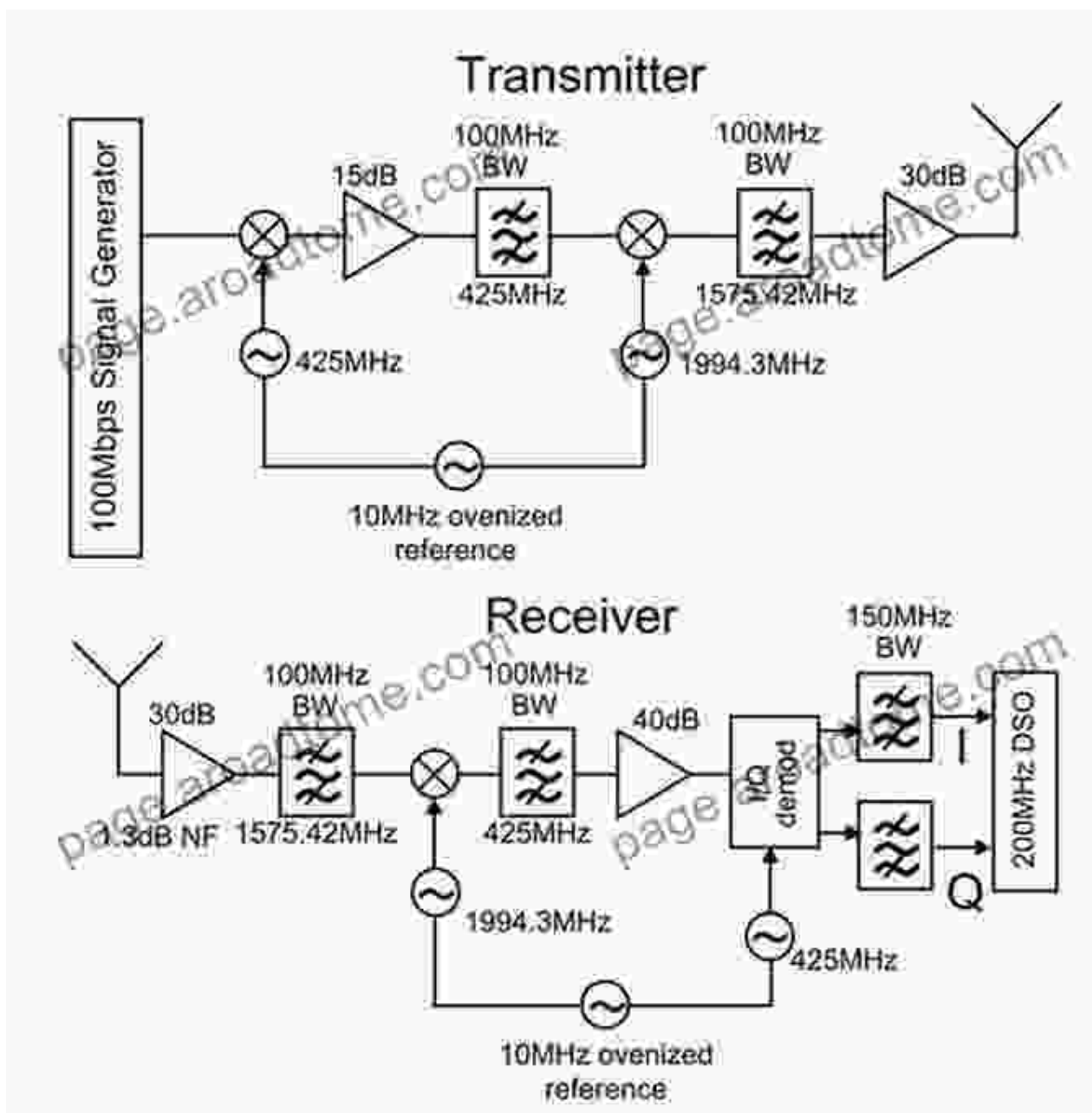
characterization. You will learn about different types of antennas, their radiation patterns, and how to optimize their performance for specific applications.



Chapter 2: RF Synthesizers

RF synthesizers are essential components in modern communication systems, generating the high-frequency signals used for wireless transmission. This chapter provides a comprehensive overview of RF synthesizer architectures, including phase-locked loops (PLLs) and direct digital synthesizers (DDSs). You will gain insights into the design,

implementation, and testing of RF synthesizers for a wide range of applications.

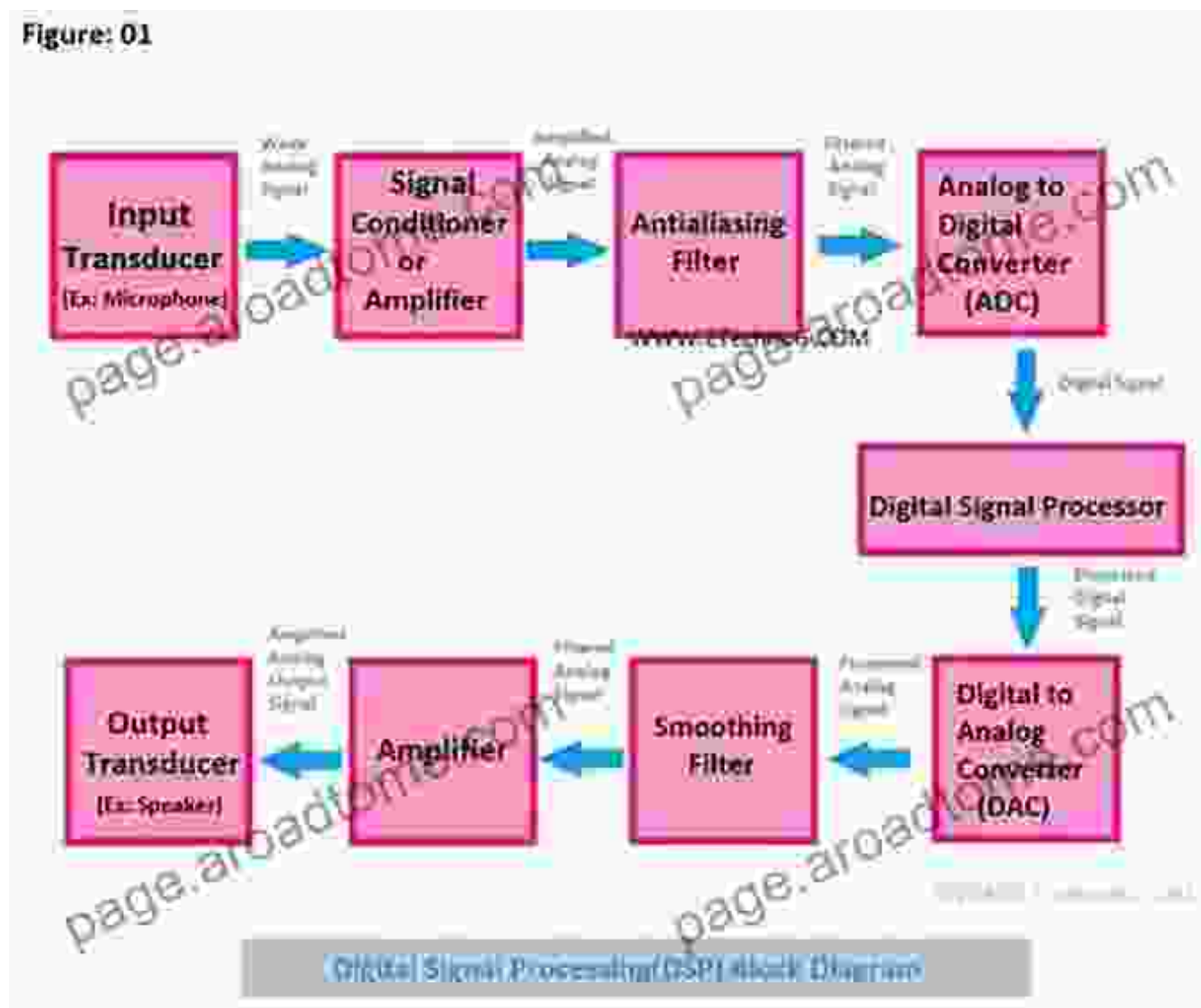


Chapter 3: Mixed Signal Processing

Mixed signal processing involves the seamless integration of analog and digital signals, enabling the processing of real-world signals that exhibit both continuous and discrete characteristics. This chapter delves into the

techniques and architectures used in mixed signal processing, such as analog-to-digital and digital-to-analog converters, filters, and signal conditioning circuits.

Figure: 01

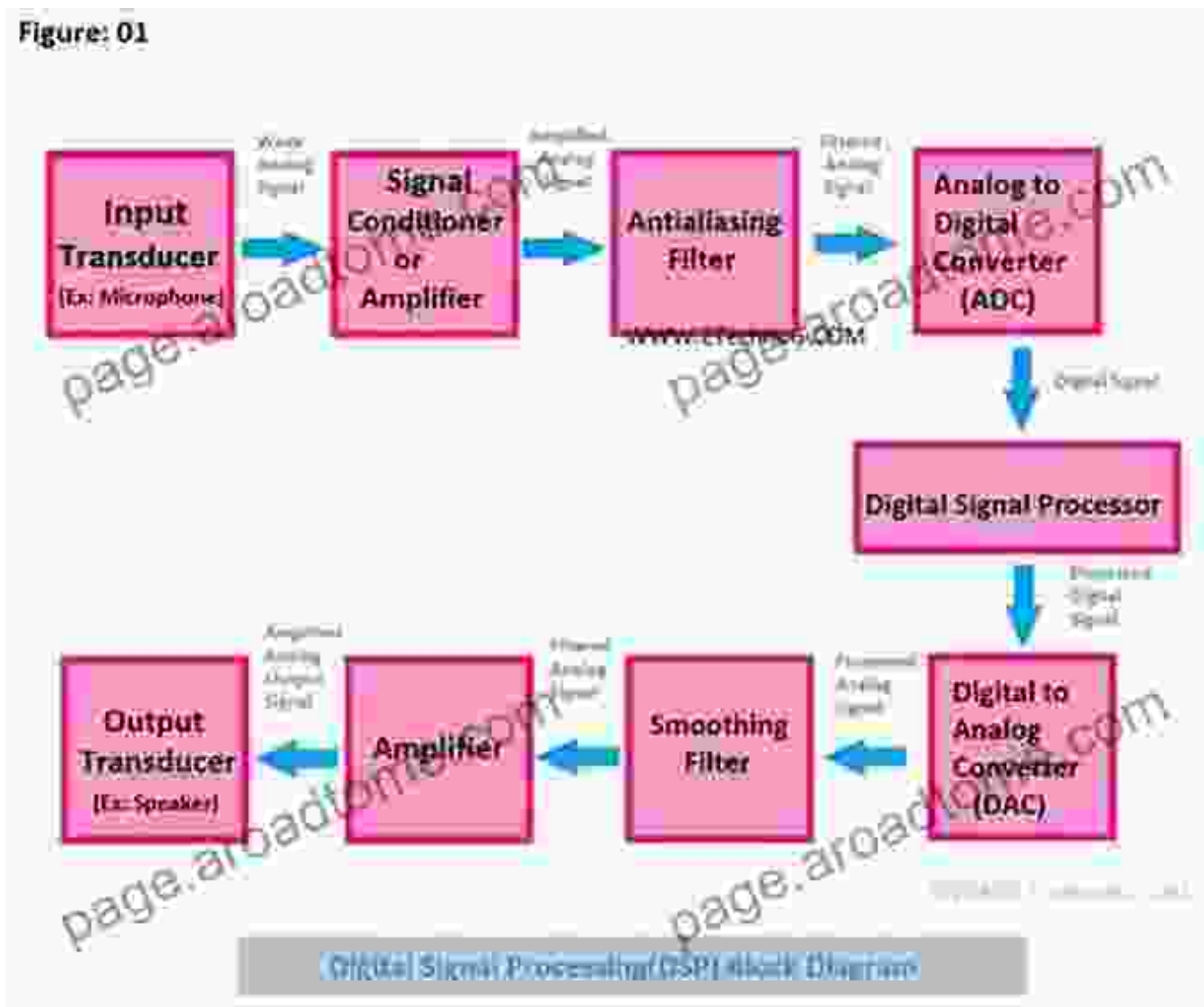


Chapter 4: Digital Signal Processing

Digital signal processing (DSP) has revolutionized the field of signal processing, enabling the efficient manipulation and analysis of digital signals. This chapter introduces the fundamental concepts of DSP, including sampling, quantization, and digital filtering. You will learn about

different DSP algorithms and their applications in areas such as image processing, speech recognition, and biomedical engineering.

Figure: 01



Chapter 5: Applications

The concluding chapter explores the vielfältigen applications of signal processing in various fields. You will learn how antennas, RF synthesizers, mixed signal processing, and DSP are used in:

- Wireless communication systems (e.g., cellular networks, Wi-Fi, Bluetooth)

- Radar and navigation systems
- Medical imaging and diagnostics
- Audio and video processing
- Control systems and automation

With its comprehensive coverage, practical examples, and insights from leading experts in the field, this guidebook is an indispensable resource for students, engineers, and researchers seeking to master the art and science of signal processing. Unlock the secrets of signal processing today and empower yourself to shape the future of communication and technology.

Free Download Your Copy Now

To Free Download your copy of "Antennas, RF Synthesizers, Mixed Signal, and Digital Signal Processing," please visit our website or your preferred online retailer.

Embark on a captivating journey into the world of signal processing and discover the tools and techniques to transform signals into invaluable information. Free Download your copy today and elevate your expertise in this dynamic and ever-evolving field.



Wireless Receiver Architectures and Design: Antennas, RF, Synthesizers, Mixed Signal, and Digital Signal Processing

by Tony J. Roupael

★★★★☆ 4.7 out of 5

Language : English

File size : 43315 KB

Text-to-Speech : Enabled

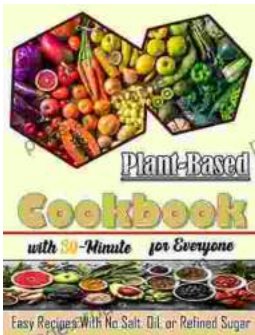
Screen Reader : Supported

Enhanced typesetting : Enabled

Print length : 494 pages

FREE

DOWNLOAD E-BOOK



Nourishing Delights: Easy Recipes Without Salt, Oil, or Refined Sugar

Are you looking for delicious and healthy recipes that are free of salt, oil, and refined sugar? If so, you're in luck! This book is packed with over 100...



The Art of Kitchen Fitting: A Masterful Guide to Culinary Transformation

The kitchen, the heart of every home, deserves to be a sanctuary of culinary inspiration and effortless efficiency. "The Art of Kitchen Fitting" by Joe Luker,...