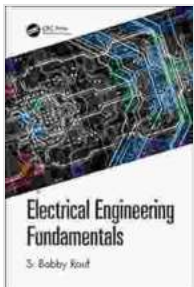


Electrical Engineering Fundamentals: A Comprehensive Guide by Bobby Rauf

Unveiling the Secrets of Electrical Engineering

In the realm of modern engineering, electrical engineering stands as a cornerstone, powering our lives and driving countless technological advancements. 'Electrical Engineering Fundamentals' by the esteemed author Bobby Rauf emerges as the ultimate guide for aspiring electrical engineers and professionals seeking to deepen their understanding of this fascinating field.



Electrical Engineering Fundamentals by S. Bobby Rauf

★★★★★ 5 out of 5

Language : English

File size : 25186 KB

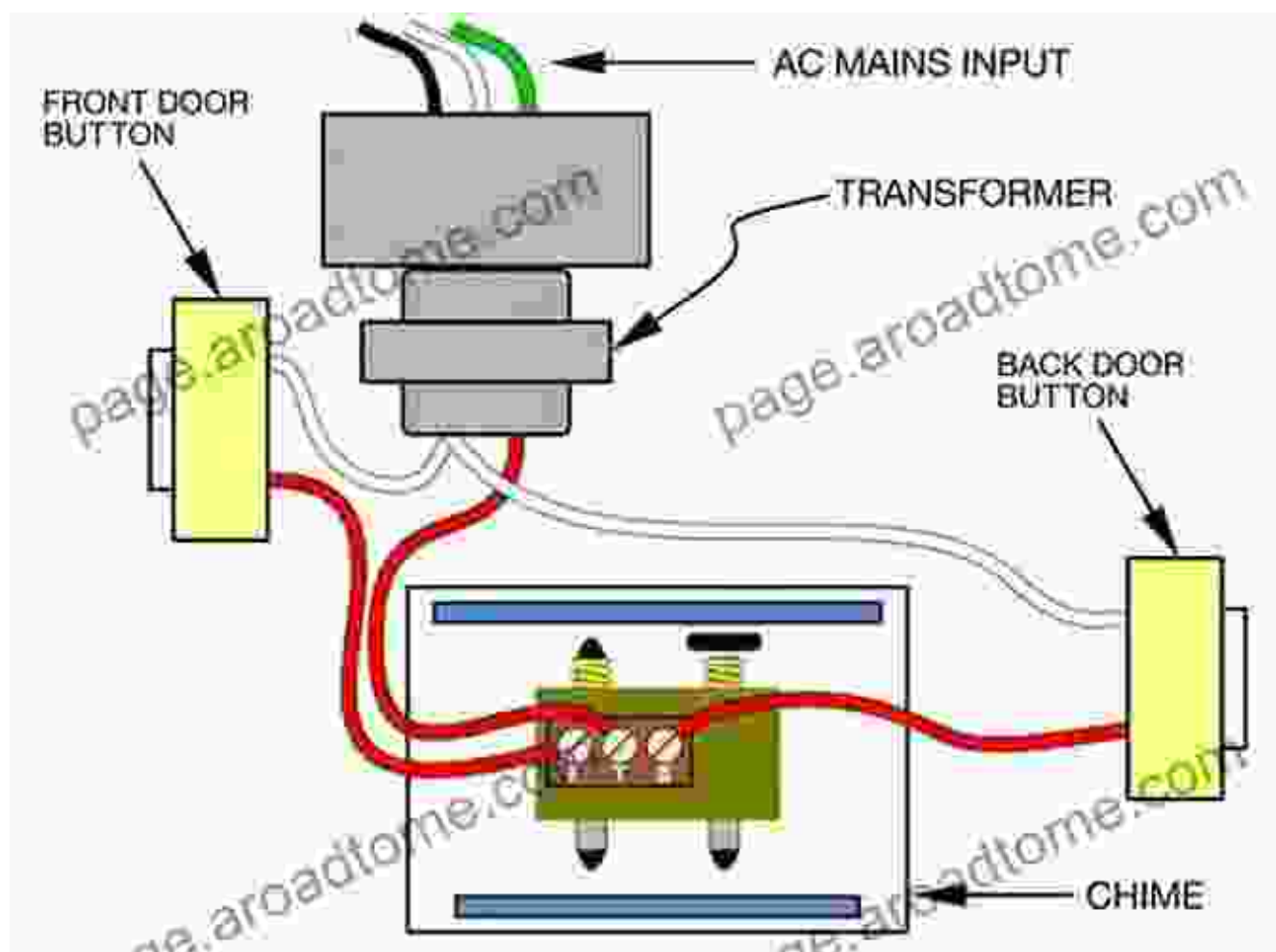
Print length : 466 pages



Within its meticulously crafted pages, this comprehensive textbook meticulously unravels the intricacies of electrical concepts, circuits, transformers, machines, and power systems. Bobby Rauf's accessible writing style and pedagogical expertise illuminate complex theories, making them both comprehensible and captivating.

Mastering Electrical Concepts with Clarity

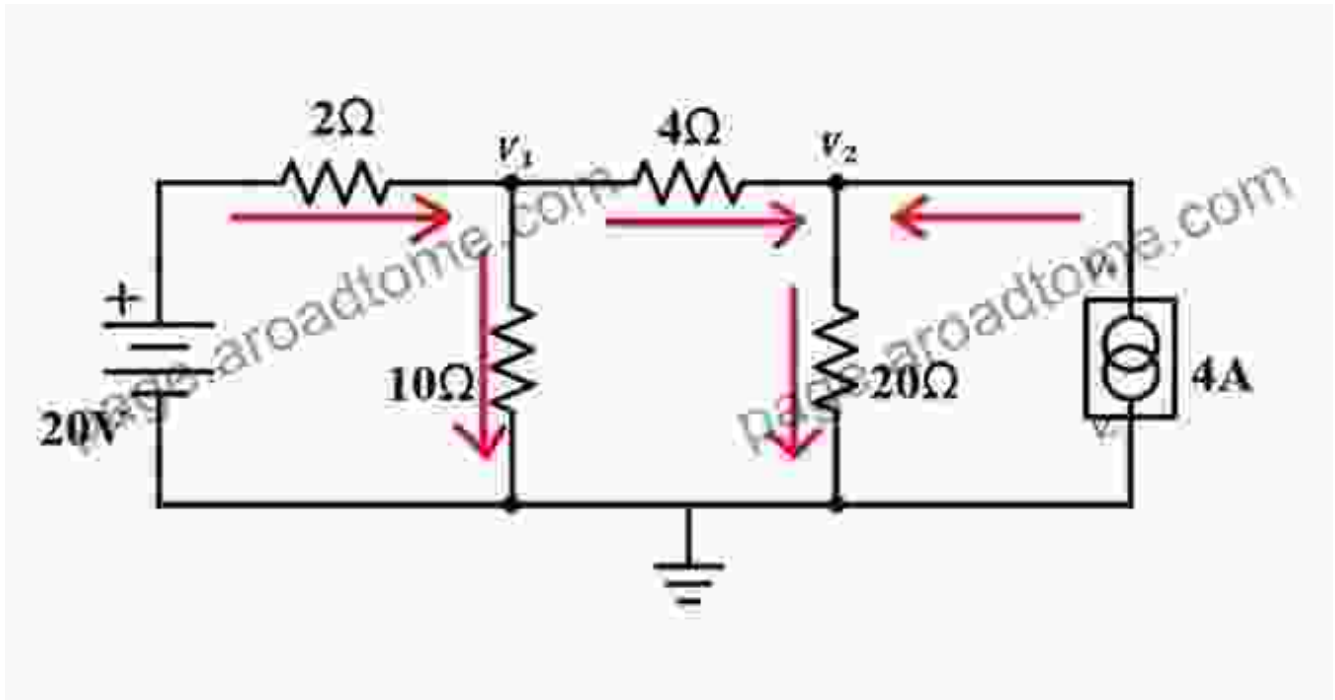
At the outset of this electrifying journey, Rauf skillfully introduces the fundamental principles governing electrical engineering. From the basic concepts of voltage, current, and resistance to the intricacies of electromagnetic fields, readers are guided through a lucid exploration of the foundational building blocks of the discipline.



Circuits: The Lifblood of Electrical Systems

Delving deeper into the heart of electrical engineering, 'Electrical Engineering Fundamentals' delves into the analysis and design of circuits, the fundamental networks that govern the flow of electricity. Rauf masterfully dissects different circuit configurations, including series,

parallel, and resonant circuits, providing a comprehensive understanding of their behavior and applications.



Transformers: Energy Transmission Revolutionized

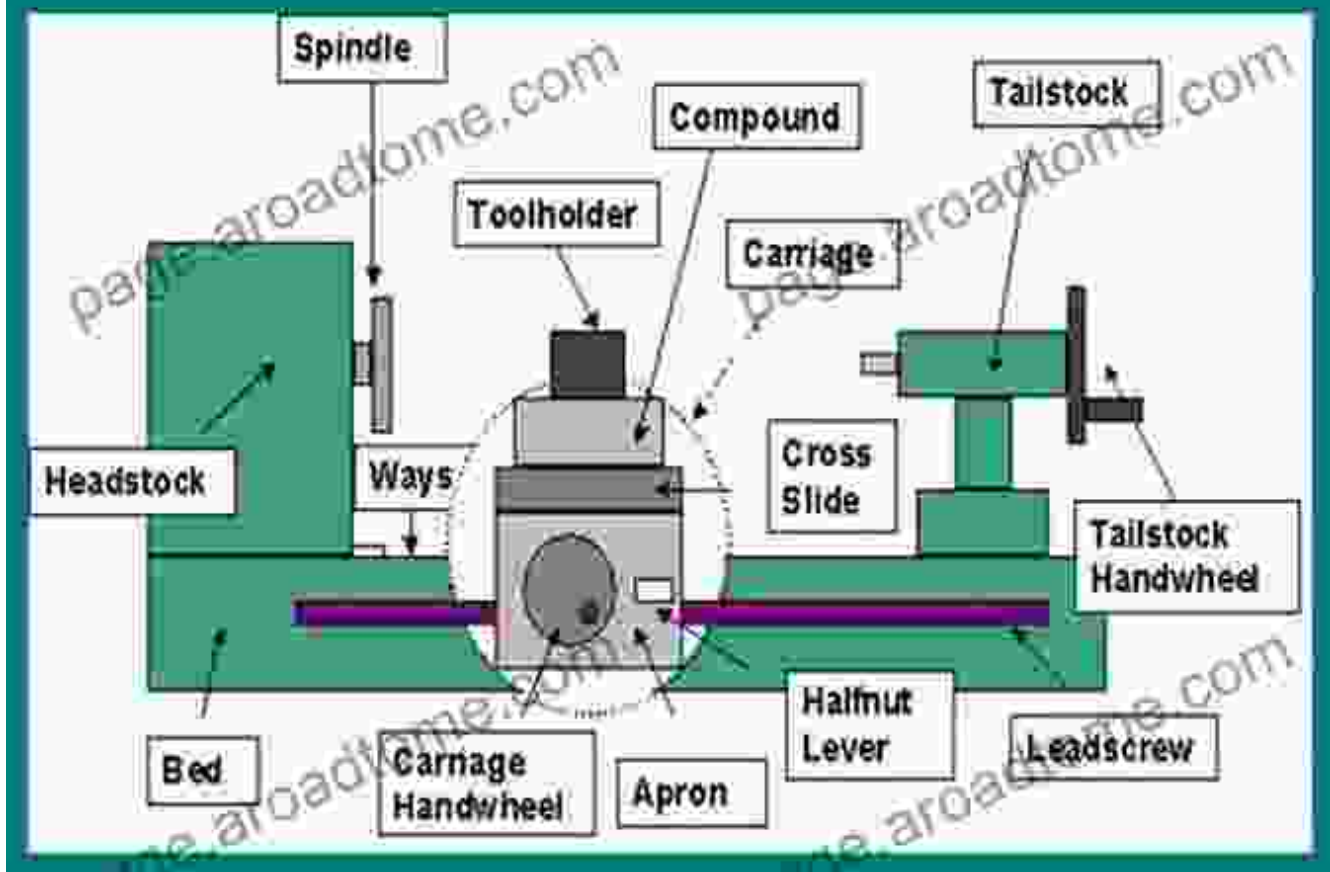
As electrical systems grow in complexity, the role of transformers in transmitting energy over vast distances becomes paramount. Rauf dedicates a substantial chapter to the study of these vital components, elucidating their construction, principles of operation, and their indispensable role in modern power grids.



Machines: The Workhorses of Electrical Engineering

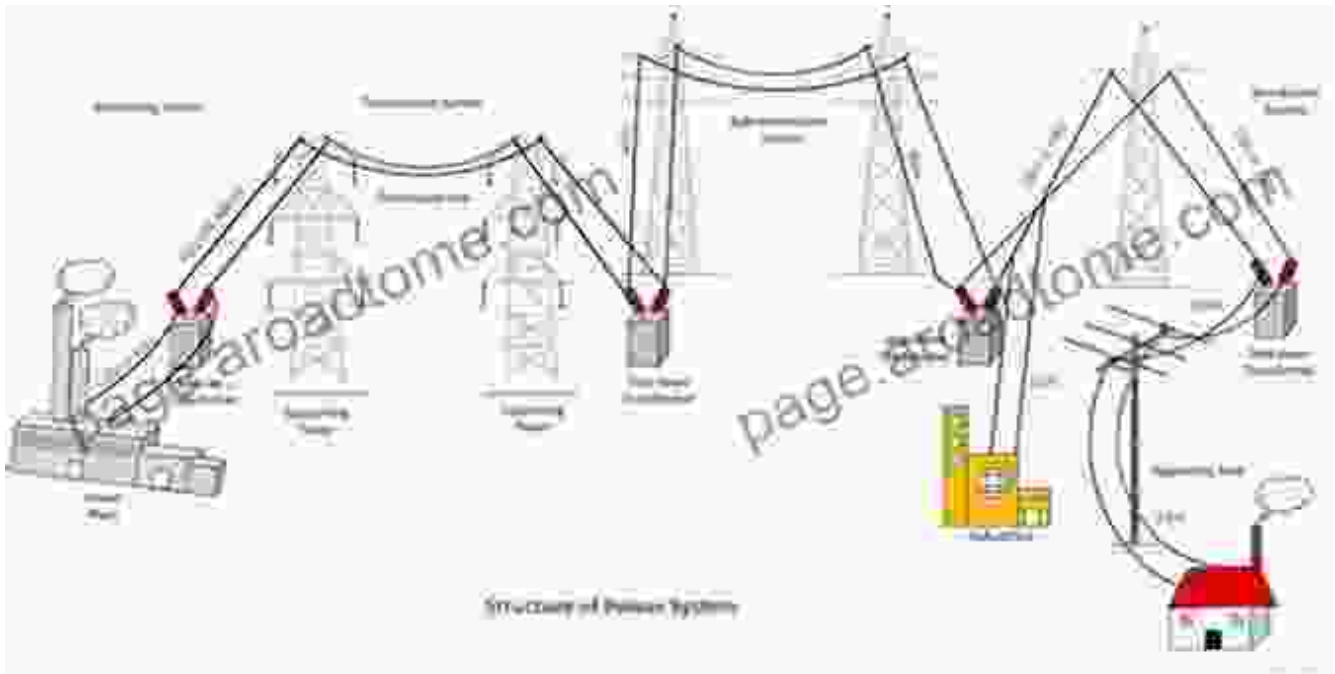
The heart of any electrical system often lies in its machines, the electromechanical marvels that convert electrical energy into mechanical motion or vice versa. 'Electrical Engineering Fundamentals' meticulously examines the different types of machines, including DC motors, generators, transformers, and induction motors, providing a deep dive into their operating principles and design considerations.

Lathe Machine & Parts



Power Systems: The Backbone of Modern Society

The culmination of electrical engineering's practical applications lies in power systems, the intricate web of interconnected components that deliver electricity to our homes, businesses, and industries. Rauf meticulously explores the various aspects of power systems, from generation and transmission to distribution and utilization, equipping readers with a comprehensive understanding of this critical infrastructure.



Pedagogical Excellence for Enhanced Learning

Beyond its wealth of content, 'Electrical Engineering Fundamentals' distinguishes itself through its exceptional pedagogical features. Numerous solved examples and practice problems interspersed throughout the text provide readers with ample opportunities to test their understanding and reinforce key concepts.

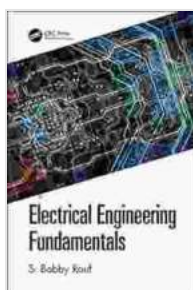
Rauf's writing style is intentionally engaging, with a clear and concise presentation of complex technical topics. He skillfully incorporates real-world applications and case studies to illustrate the practical relevance of the concepts discussed, fostering a deeper appreciation for the subject matter.

: A Gateway to Electrical Engineering Mastery

'Electrical Engineering Fundamentals' by Bobby Rauf stands as an indispensable guide for aspiring electrical engineers and professionals

seeking to enhance their knowledge and skills in this dynamic discipline. Its comprehensive coverage, lucid explanations, and pedagogical excellence make it the ideal companion for navigating the complexities of electrical engineering.

Whether you are a student embarking on your electrical engineering journey or a seasoned professional seeking to refresh your knowledge, this exceptional textbook is the ultimate resource for unlocking the secrets of electricity and its transformative applications in our modern world.



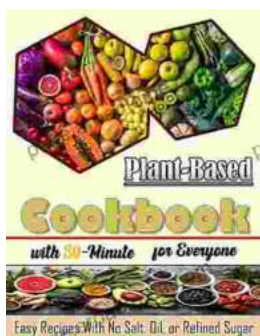
Electrical Engineering Fundamentals by S. Bobby Rauf

★★★★★ 5 out of 5

Language : English

File size : 25186 KB

Print length : 466 pages



Nourishing Delights: Easy Recipes Without Salt, Oil, or Refined Sugar

Are you looking for delicious and healthy recipes that are free of salt, oil, and refined sugar? If so, you're in luck! This book is packed with over 100...



The Art of Kitchen Fitting: A Masterful Guide to Culinary Transformation

The kitchen, the heart of every home, deserves to be a sanctuary of culinary inspiration and effortless efficiency. "The Art of Kitchen Fitting" by Joe Luker,...