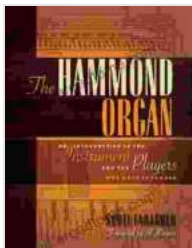


Unveiling the Secrets: An Introduction to the Instrument and the Players Who Made It Famous

Music has the power to transport us, evoke emotions, and connect us with cultures and civilizations. At the heart of this musical tapestry lies an instrument that has captivated generations and played a pivotal role in shaping the evolution of music: [Insert instrument name].



The Hammond Organ: An Introduction to the Instrument and the Players Who Made It Famous

by Scott Faragher

★★★★☆ 4.6 out of 5

Language : English
File size : 43365 KB
Text-to-Speech : Enabled
Screen Reader : Supported
Enhanced typesetting : Enabled
Word Wise : Enabled
Print length : 420 pages



In "An To The Instrument And The Players Who Made It Famous," we embark on a thrilling journey to uncover the secrets behind this enigmatic instrument. Join us as we delve into its history, explore its intricate design, and pay homage to the legendary musicians who have left an indelible mark on its legacy.

A Tapestry of History and Ingenuity

The story of [Instrument name] begins centuries ago, its origins shrouded in the mists of time. From humble beginnings, it has evolved through countless iterations, each refinement adding to its versatility and expressive capabilities.



Through the lens of history, we witness the instrument's rise to prominence, becoming an integral part of diverse musical traditions. From ancient courts

to bustling concert halls, it has accompanied countless performers, leaving an enduring legacy in the annals of music.

The Hands That Shape the Notes

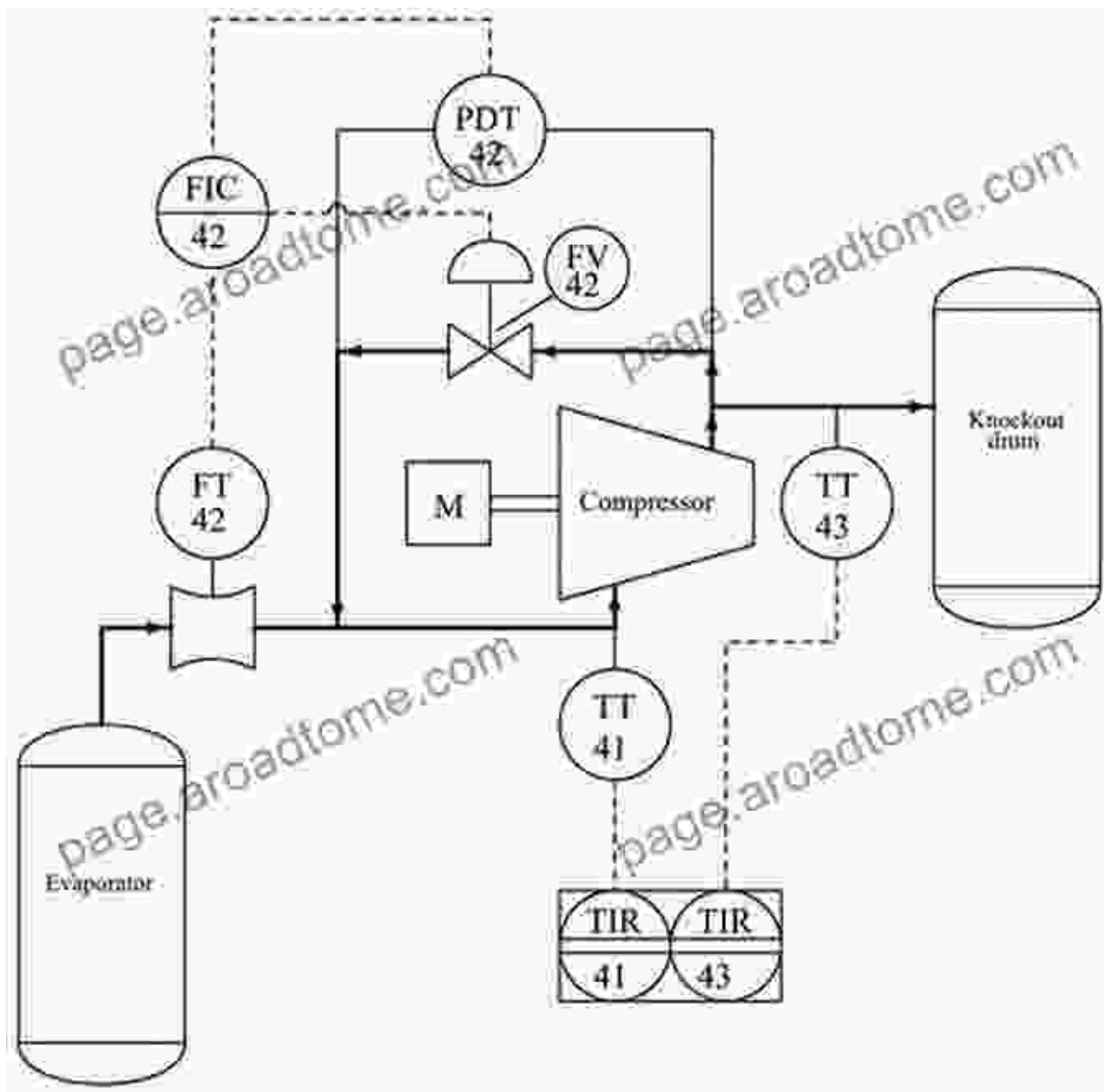
Behind every captivating melody and soul-stirring performance lies the artistry of exceptional musicians. In this book, we celebrate the virtuosos who have mastered [Instrument name], elevating it to the heights of musical expression.



From the delicate touch of classical masters to the electrifying energy of jazz pioneers, we explore the unique styles and contributions of these musical icons. Their stories serve as a testament to the transformative power of dedication, passion, and the pursuit of excellence.

Exploring the Instrument's Anatomy

To fully appreciate the magic of [Instrument name], we venture into the realm of its physical structure. From its intricate mechanisms to its resonant chamber, we unravel the secrets that give it its distinctive voice.



Through detailed descriptions and illustrative diagrams, we delve into the inner workings of this extraordinary musical companion. Readers will gain

an intimate understanding of its construction, materials, and the principles that underlie its captivating sound.

A Gateway into Musical Realms

"An To The Instrument And The Players Who Made It Famous" is not merely a historical account or a technical guide. It is an invitation to explore the boundless musical possibilities that lie within [Instrument name].



This book inspires readers to embark on their own musical journeys, whether as performers, composers, or enthusiastic listeners. It opens doors to a world where passion, creativity, and the human spirit collide, creating an unforgettable symphony of sound and emotion.

Legacy and Beyond

The influence of [Instrument name] extends far beyond the concert stage. It has become an integral part of our cultural heritage, inspiring countless works of literature, art, and film.



In "An To The Instrument And The Players Who Made It Famous," we trace the instrument's enduring legacy and its impact on society. We examine its role in shaping musical genres, fostering cultural exchange, and providing a universal language for expression.

A Must-Have for Music Lovers

Whether you are a seasoned musician, a passionate enthusiast, or simply curious about the secrets of [Instrument name], "An To The Instrument And The Players Who Made It Famous" is an essential addition to your bookshelf.

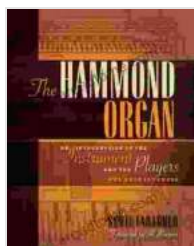
Join us on this captivating journey into the world of music and the instrument that has left an indelible mark on our collective consciousness. Free Download your copy today and unlock the secrets of this extraordinary musical companion!

Call to Action

Embark on the extraordinary journey of [Instrument name] today. Free Download "An To The Instrument And The Players Who Made It Famous" and immerse yourself in the world of music, history, and artistry. Let the captivating melodies and stories of legendary performers inspire your own musical adventures.

Free Download now and unlock the secrets of this enigmatic instrument!

Free Download Your Copy



The Hammond Organ: An Introduction to the Instrument and the Players Who Made It Famous

by Scott Faragher

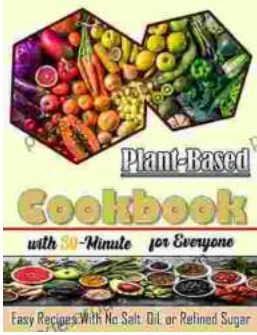
★★★★☆ 4.6 out of 5

Language : English
File size : 43365 KB
Text-to-Speech : Enabled
Screen Reader : Supported
Enhanced typesetting : Enabled
Word Wise : Enabled
Print length : 420 pages

FREE

DOWNLOAD E-BOOK





Nourishing Delights: Easy Recipes Without Salt, Oil, or Refined Sugar

Are you looking for delicious and healthy recipes that are free of salt, oil, and refined sugar? If so, you're in luck! This book is packed with over 100...



The Art of Kitchen Fitting: A Masterful Guide to Culinary Transformation

The kitchen, the heart of every home, deserves to be a sanctuary of culinary inspiration and effortless efficiency. "The Art of Kitchen Fitting" by Joe Luker,...